

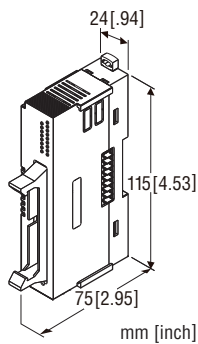
## Remote I/O R8 Series

### DC VOLTAGE/CURRENT INPUT MODULE

(built-in excitation, 16 points, non-isolated)

#### Functions & Features

- DC current input and DC voltage input compact size remote I/O module
- Switching between current input and voltage input with PC configurator (model: R8CFG)
- Accepts direct input from power output as sensor power and outputs from terminals
- 40 pin MIL connector



## MODEL: R8-FS16N[1]

### ORDERING INFORMATION

- Code number: R8-FS16N[1]  
Specify a code from below for [1].  
(e.g. R8-FS16N/Q)
- Specify the specification for option code /Q  
(e.g. /C01)

### [1] OPTIONS

**blank:** none

**/Q:** With options (specify the specification)

### SPECIFICATIONS OF OPTION: Q

COATING (For the detail, refer to our web site.)

/C01: Silicone coating

/C02: Polyurethane coating

### RELATED PRODUCTS

- PC configurator software (model: R8CFG)  
The configurator software is downloadable at our web site.  
A dedicated cable is required to connect the module to the PC. Please refer to the users manual for the PC configurator for applicable cable types.

### GENERAL SPECIFICATIONS

#### Connection

- **Input:** 40-pin MIL connector  
PWB connector XG4A-4034 (Omron)  
Recommended socket XG5N-401 (Omron)  
Recommended contact XG5W-0231 (Omron)  
Applicable wire size AWG22, number of conductor 17, diameter of conductor 0.16 mm (The cable connector is not included in the package. Refer to the specifications of the product.)

#### •Excitation supply, internal bus:

Connected to internal bus connector

#### •Internal power:

Supplied from internal bus connector  
**Isolation:** Input or exc. supply to internal bus or internal power

**Input type:** Selectable between current input and voltage input individually for each 16 points with configurator software (model: R8CFG)

**Module address:** With rotary switch

**Terminating resistor:** Built-in (DIP Switch, default: disable)

**Status indicator:** Bi-color (red/green) LED; Refer to the instruction manual.

**Input status indicators:** Red LED; Refer to the instruction manual.

### INPUT SPECIFICATIONS

#### ■ DC Voltage:

**Input range:** -10 - +10 V DC

**Input setting value:** Available to set in the input range

**Operational range:** -5 - +105 % (% of input setting value)

**Input resistance:**  $\geq 1 \text{ M}\Omega$

#### ■ DC Current:

**Input range:** -20 - +20 mA DC

**Input setting value:** Available to set in the input range

**Operational range:** -5 - +105 % (% of input setting value)

**Input resistance:**  $50 \Omega$  (1/4 W)

Factory default (Input type and input setting value):

Voltage input, input range -10 - +10 V DC for all 16 points.

### INSTALLATION

**Max. current consumption:** 100 mA

**Operating temperature:** -10 to +55°C (14 to 131°F)

**Operating humidity:** 30 to 90 %RH (non-condensing)

**Atmosphere:** No corrosive gas or heavy dust

**Mounting:** DIN rail

**Weight:** 110 g (0.24 lb)

### PERFORMANCE

**Conversion accuracy (in percentage of input range)**

**Voltage input:**  $\pm 0.05 \%$

**Current input:**  $\pm 0.1 \%$

Conversion accuracy is inversely proportional to input span.

**Conversion rate:** 8 msec.

**Input circuit time constant:** Approx. 1 msec.

**Data range:** 0 - 10000 of the input range  
(Scaling of converted data is configurable with the configurator software)

**Data allocation:** 2

**Module addresses in use:** 8

**Power output (input connector):** Rated current 3 A DC (rated current 3 A for internal fuse (slow blow fuse  $i^2t$  (A<sup>2</sup>sec.) max. 5.04)

**Temp. coefficient:**  $\pm 0.015$  %/°C ( $\pm 0.008$  %/°F)

**Insulation resistance:**  $\geq 100$  M $\Omega$  with 500 V DC

**Dielectric strength:** 1500 V AC @ 1 minute  
(input or exc. supply to internal bus or internal power to ground)

## CALCULATION EXAMPLES OF CONVERSION ACCURACY

### ■ Voltage input:

For input setting value 1 - 5 V DC

Conversion accuracy = Input range span (20 V)  $\div$  input setting value span (4 V)  $\times$  0.05 (%) = 0.25 (%)

### ■ Current input:

For input setting value 4 - 20 mA DC

Conversion accuracy = Input range span (40 mA)  $\div$  input setting value span (16 mA)  $\times$  0.1 (%) = 0.25 (%)

## STANDARDS & APPROVALS

### EU conformity:

EMC Directive

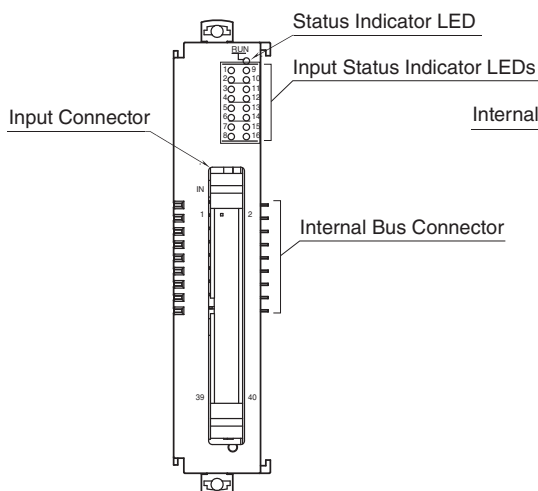
EMI EN 61000-6-4

EMS EN 61000-6-2

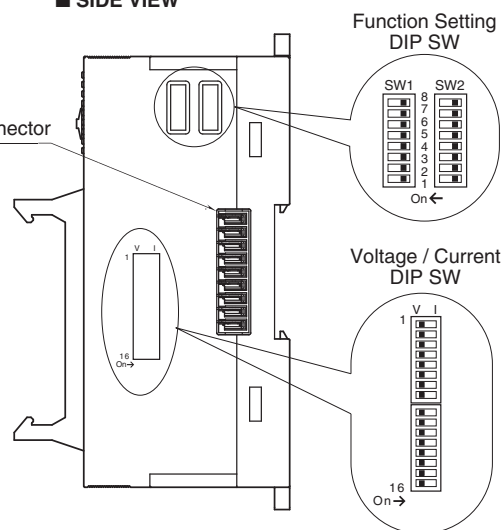
RoHS Directive

## EXTERNAL VIEW

### ■ FRONT VIEW



### ■ SIDE VIEW



## OPERATING MODE SETTING

(\*) Factory default

Note: Be sure to set unused SW 2-1 through 2-5, 2-7 and 2-8 to OFF

### ■ Module Address

SW 1-1 through 1-4 determine the tenth place digit, while SW 1-5 through 1-8 do the ones place digit of the address. Address is selected between 0 to 24.

(Factory setting: 0)

MODULE ADDRESS	SW1				
	x10 x1	1 5	2 6	3 7	4 8
0		OFF	OFF	OFF	OFF
1		OFF	OFF	OFF	ON
2		OFF	OFF	ON	OFF
3		OFF	OFF	ON	ON
4		OFF	ON	OFF	OFF
5		OFF	ON	OFF	ON
6		OFF	ON	ON	OFF
7		OFF	ON	ON	ON
8		ON	OFF	OFF	OFF
9		ON	OFF	OFF	ON

### ■ Terminator DIP SW

TERMINATOR SW	SW2
	6
Without (*)	OFF
With	ON

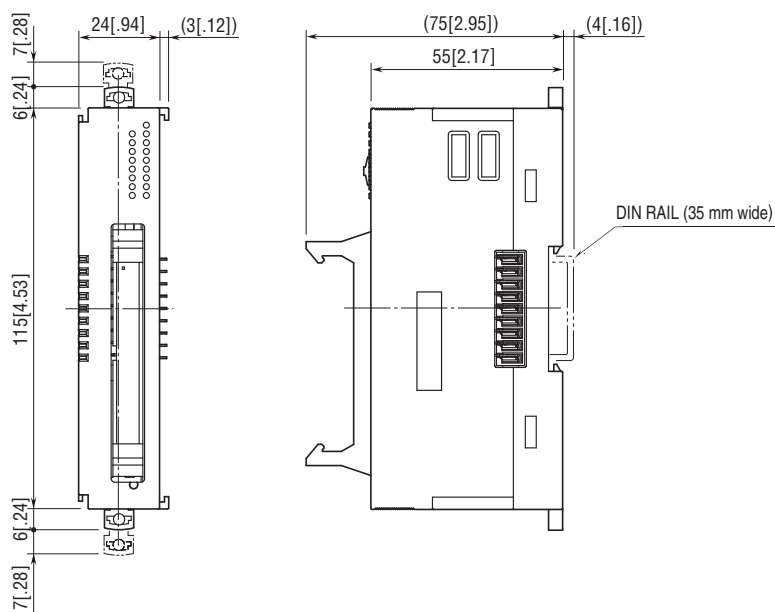
### ■ Voltage / Current DIP SW

For voltage input, set the switch OFF.

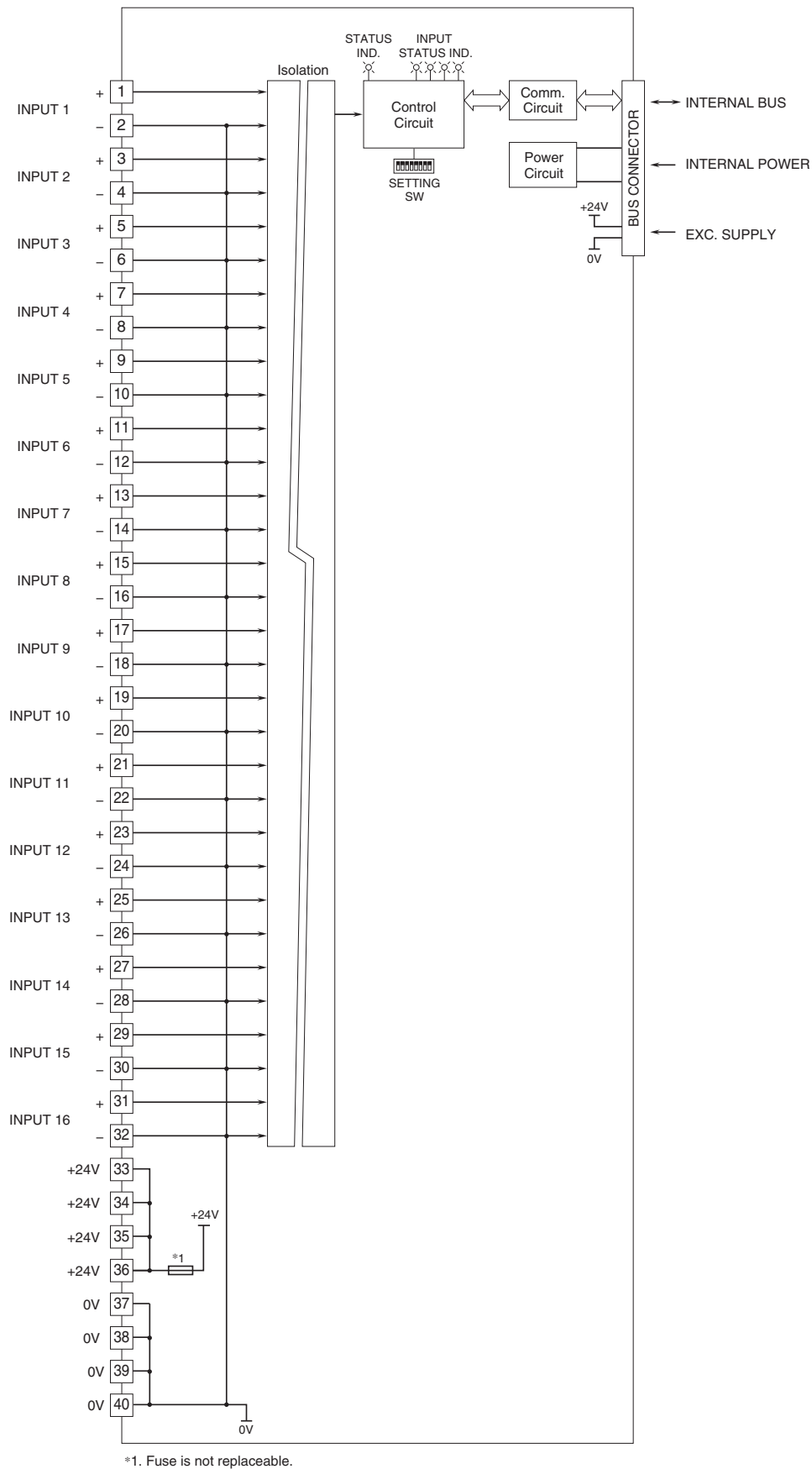
For current input set the switch ON.

Note: To configure the input, setting from configurator software and the setting of this switch are required.

## EXTERNAL DIMENSIONS unit: mm [inch]



## SCHEMATIC CIRCUITRY & CONNECTION DIAGRAM





Specifications are subject to change without notice.