

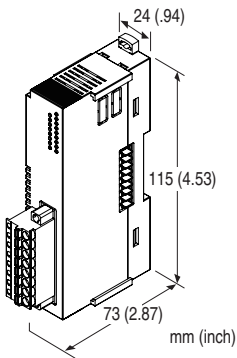
Remote I/O R80 Series

RELAY OUTPUT MODULE

(4 points, Tension clamp terminal block)

Functions & Features

- 4 channels for relay output, compact size remote I/O module
- 8 pins tension clamp connector



MODEL: R80DCT4D[1]

ORDERING INFORMATION

- Code number: R80DCT4D[1]
- Specify a code from below for [1].
(e.g. R80DCT4D/Q)
- Specify the specification for option code /Q
(e.g. /C01)

[1] OPTIONS

blank: none

/Q: With options (specify the specification)

SPECIFICATIONS OF OPTION: Q

COATING (For the detail, refer to our web site.)

/C01: Silicone coating

/C02: Polyurethane coating

RELATED PRODUCTS

- PC configurator software (model: R80CFG)
Downloadable at our web site.
For connecting to PC, use commercially available Mini-B type USB cable. (provided by user)

GENERAL SPECIFICATIONS

Connection

Output: Separable tension clamp terminal

Internal bus, internal power: Connected to internal bus connector

Housing material: Flame-resistant resin (black)

Isolation: Output 1 to output 2 to output 3 to output 4 to internal bus or internal power to exc. supply to FE

Module address: With DIP switch

Terminating resistor: Built-in (DIP Switch, default: disable)

Status indicator: Bi-color (red/green) LED; Refer to the instruction manual.

OUTPUT SPECIFICATIONS

Output: Relay contact 4 points

Output common: Common per one point (4 terminals)

Maximum load current: 2 A per point

Rated load: 250 V AC @2 A ($\cos \phi = 1$)
30 V DC @2 A (resistive load)

Maximum switching voltage: 250 V AC or 30 V DC

Maximum switching power: 500 VA or 60 W

Minimum load: 5 V DC @1 mA

Mechanical life: 2×10^7 cycles (rate 300/min.)

When driving an inductive load, external contact protection and noise quenching are recommended.

ON delay: ≤ 10 msec.

OFF delay: ≤ 10 msec.

INSTALLATION

Current consumption: 110 mA

Exc. supply current consumption: 25 mA

Operating temperature: -10 to +55°C (14 to 131°F)

Storage temperature: -10 to +55°C (14 to +131°F)

Operating humidity: 10 to 90 %RH (non-condensing)

Atmosphere: No corrosive gas or heavy dust

Mounting: DIN rail

Weight: 115 g (0.25 lb)

PERFORMANCE

Insulation resistance: ≥ 100 M Ω with 500 V DC

Dielectric strength:

1500 V AC @ 1 minute (output 1 to output 2 to output 3 to output 4 to internal bus or internal power to exc. supply to ground)

STANDARDS & APPROVALS

EU conformity:

EMC Directive

EMI EN 61000-6-4

EMS EN 61000-6-2

Low Voltage Directive

EN 61010-1, EN 61010-2-201

Measurement Category II (output)

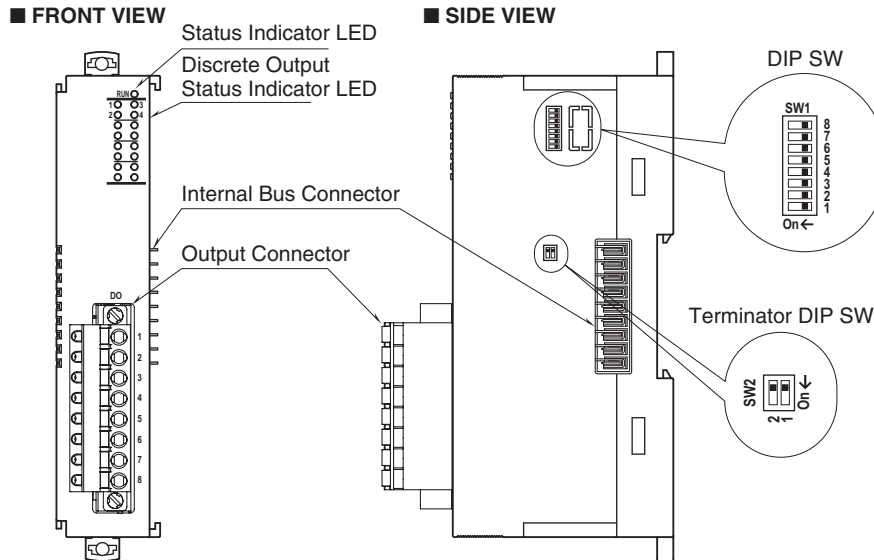
Pollution Degree 2

Output to exc. supply or internal bus or internal power:

Basic insulation (250 V)

RoHS Directive

EXTERNAL VIEW



CONNECTION DIAGRAMS

■ Tension clamp terminal block

Unit side connector: MSTB2,5/8-GF-5,08 (Phoenix Contact)

Cable side connector: FKC2,5/8-STF-5,08 (Phoenix Contact)

Applicable wire size: 0.2 – 2.5 mm²

Stripped length: 10 mm

Recommended solderless terminal

- AI0,25–10YE 0.25 mm² (Phoenix Contact)
- AI0,34–10TQ 0.34 mm² (Phoenix Contact)
- AI0,5–10WH 0.5 mm² (Phoenix Contact)
- AI0,75–10GY 0.75 mm² (Phoenix Contact)
- AI1–10RD 1.0 mm² (Phoenix Contact)
- AI1,5–10BK 1.5 mm² (Phoenix Contact)
- AI2,5–10BU 1.5 mm² (Phoenix Contact)

OPERATING MODE SETTING

(*) factory default setting

Note: Be sure to set unused SW1-5 to 8 and 2-2 to OFF.

· Module Address Setting

Configure the module address with DIP switch.

0-15 are available for module address.

MODULE ADDRESS	SW1			
	1	2	3	4
0 (*)	OFF	OFF	OFF	OFF
1	ON	OFF	OFF	OFF
2	OFF	ON	OFF	OFF
3	ON	ON	OFF	OFF
4	OFF	OFF	ON	OFF
5	ON	OFF	ON	OFF
6	OFF	ON	ON	OFF
7	ON	ON	ON	OFF
8	OFF	OFF	OFF	ON
9	ON	OFF	OFF	ON
10	OFF	ON	OFF	ON
11	ON	ON	OFF	ON
12	OFF	OFF	ON	ON
13	ON	OFF	ON	ON
14	OFF	ON	ON	ON
15	ON	ON	ON	ON

· Terminator Setting

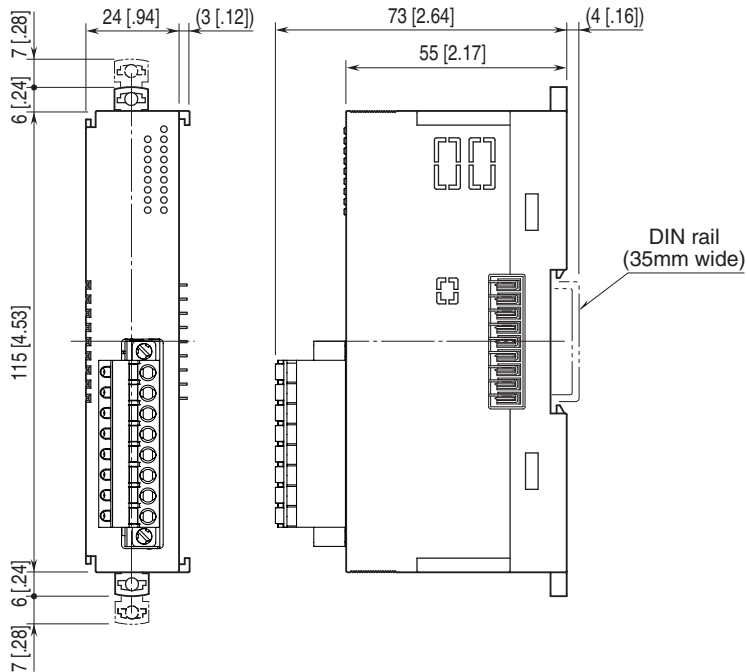
Terminator	SW2-1
Disabled (*)	OFF
Enabled	ON

TERMINAL ASSIGNMENTS

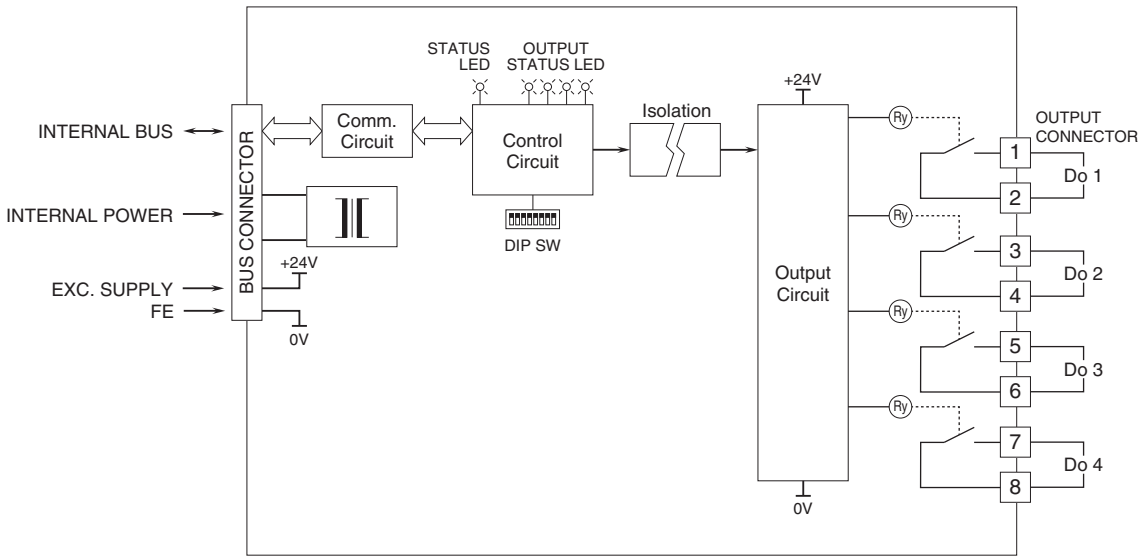


PIN NO.	ID	FUNCTION
1	Do1	Output 1
2	Do1	Output 1
3	Do2	Output 2
4	Do2	Output 2
5	Do3	Output 3
6	Do3	Output 3
7	Do4	Output 4
8	Do4	Output 4

DIMENSIONS unit: mm (inch)



SCHEMATIC CIRCUITRY & CONNECTION DIAGRAM





Specifications are subject to change without notice.