

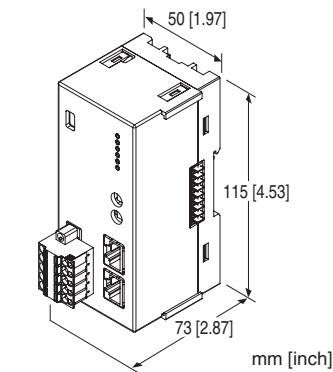
## Remote I/O R80 Series

### POWER/NETWORK MODULE

(EtherNet/IP)

#### Functions & Features

- Interchanges analog or discrete I/O signals with the fieldbus (EtherNet/IP)
- Space-saving



### MODEL: R80NEIP1-R[1]

#### ORDERING INFORMATION

- Code number: R80NEIP1-R[1]  
Specify a code from below for [1].  
(e.g. R80NEIP1-R/Q)
- Specify the specification for option code /Q  
(e.g. /C01)

#### MODULE TYPE

NEIP1: EtherNet/IP

#### POWER INPUT

DC power

R: 24 V DC

(Operational voltage range:  $\pm 10\%$ ; ripple 10 %p-p max.)

#### [1] OPTIONS

blank: none

/Q: With options (specify the specification)

#### SPECIFICATIONS OF OPTION: Q

COATING (For the detail, refer to our web site.)

/C01: Silicone coating

/C02: Polyurethane coating

#### RELATED PRODUCTS

- PC configurator software (model: R80CFG)
- EDS file

The EDS file and configurator software are downloadable at our web site.

For connecting to PC, use commercially available Mini-B type USB cable. (provided by user)

#### PACKAGE INCLUDES...

- Protective cover

#### GENERAL SPECIFICATIONS

##### Connection

- **Power input or excitation supply:** Tension clamp (Front Twin connection)

**Stripped length:** 10 mm

- **EtherNet/IP:** RJ-45 modular jack

- **Internal bus or internal power or excitation supply:** Via internal bus connector

**Housing material:** Flame-resistant resin (gray)

**Max. number of I/O modules:** 16

(Max. consumption current of I/O modules: 1.6 A)

**Isolation:** EtherNet/IP or FE1 to internal bus or internal power or power input to excitation supply

**Status indicators:** PWR, MS, NS, LNK1, LNK2

**Configurator connection:** USB Mini-B

#### EtherNet/IP COMMUNICATION

**Communication Standard:** IEEE 802.3u

**Transmission:** 10BASE-T, 100BASE-TX

**Baud rate:** 10/100 Mbps (Auto Negotiation function)

**Protocol:** EtherNet/IP

**Connection type:** Exclusive owner / Listen only / Input only

**Max. number of socket connections:** 3

**Transmission media:** 10BASE-T (STP, Category 5), 100BASE-TX (STP, Category 5e)

**Network topology:** Line, star and ring

**Max. length of fieldbus segment:** 100 meters

**IP address:** 192.168.0.250 (factory setting);

Only host address in IP address is configurable via rotary switches, the other items via PC configurator software (model: R80CFG).

DLR supported

**Port No.:** 2222, 44818

**I/O data size:** 134 Byte / 70 Byte

**Status indicator LEDs:** MS, NS (Refer to the instruction manual for details)

## INSTALLATION

### Power consumption

- DC: Approx. 12 W 24 V DC (@ internal power max. current 1.6 A)

### Internal power supply (power supply for I/O module):

- DC power supply: 5 V DC
- Current capacity: 1.6 A

### Excitation supply output (excitation for I/O module)

- DC: 24 V DC  $\pm 10\%$
- Operational current: 10 A

(From power and excitation supply connector, via connector for internal bus, supplied to each I/O module. Power output current consumption must be under operational current.)

**Operating temperature:** -10 to +55°C (14 to 131°F)

**Storage temperature:** -20 to +65°C (-4 to +149°F)

**Operating humidity:** 30 to 90 %RH (non-condensing)

**Atmosphere:** No corrosive gas or heavy dust

**Mounting:** DIN rail

**Weight:** 210 g (0.46 lb)

## PERFORMANCE

**Insulation resistance:**  $\geq 100\text{ M}\Omega$  with 500 V DC

**Dielectric strength:** 500 V AC @ 1 minute

(EthrtNet/IP or FE1 to internal bus or internal power or power input to excitation supply)

## STANDARDS & APPROVALS

### EU conformity:

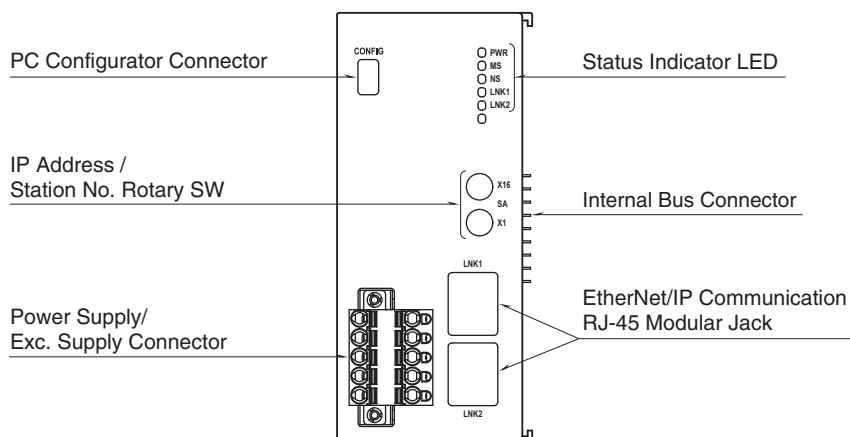
EMC Directive

EMI EN 61000-6-4

EMS EN 61000-6-2

RoHS Directive

## EXTERNAL VIEW



## WIRING

### • POWER SUPPLY AND EXCITATION SUPPLY CONNECTOR TERMINAL ASSIGNMENT

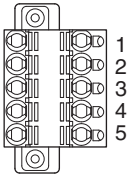
**Unit side connector:** MSTBV2,5/5-GF-5,08AU (Phoenix Contact)

**Cable side connector:** TFKC2,5/5-STF-5,08AU (Phoenix Contact)

**Applicable wire size:** 0.2 – 2.5 mm<sup>2</sup>; stripped length 10 mm

#### Recommended solderless terminal

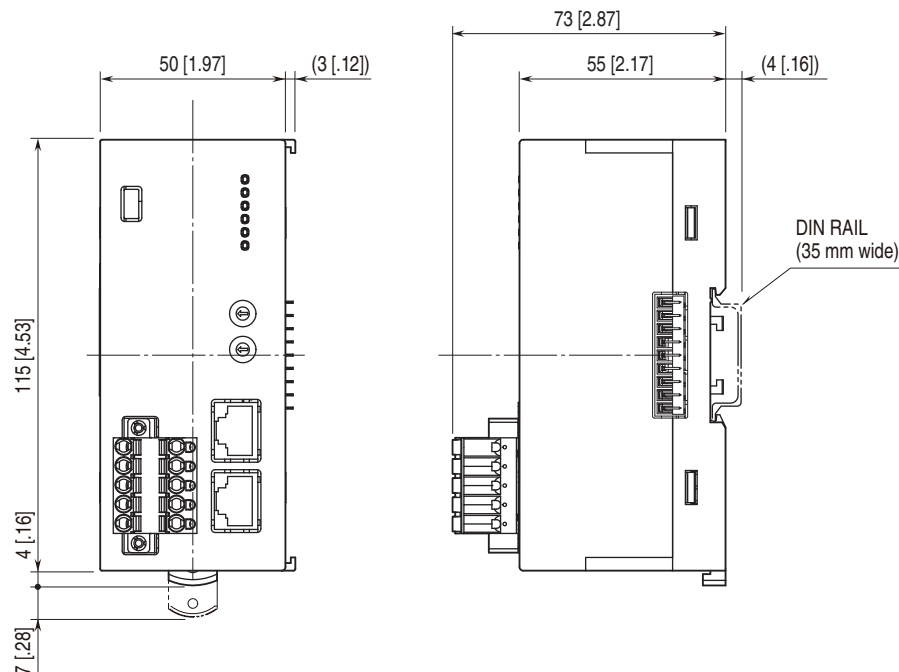
- AI0,25–10YE 0.25 mm<sup>2</sup> (Phoenix Contact)
- AI0,34–10TQ 0.34 mm<sup>2</sup> (Phoenix Contact)
- AI0,5–10WH 0.5 mm<sup>2</sup> (Phoenix Contact)
- AI0,75–10GY 0.75 mm<sup>2</sup> (Phoenix Contact)
- AI1–10RD 1.0 mm<sup>2</sup> (Phoenix Contact)
- AI1,5–10BK 1.5 mm<sup>2</sup> (Phoenix Contact)
- AI2,5–10BU 2.5 mm<sup>2</sup> (Phoenix Contact)



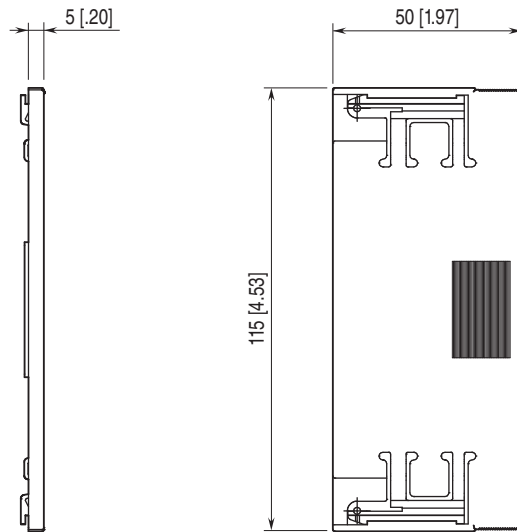
PIN No.	ID	FUNCTION
1	24 V	Power supply 24 V DC
2	0 V	Power supply 0 V DC
3	+	Excitation supply 24 V DC
4	-	Excitation supply 0 V DC
5	FE1	Grounding

## EXTERNAL DIMENSIONS unit: mm [inch]

### ■UNIT



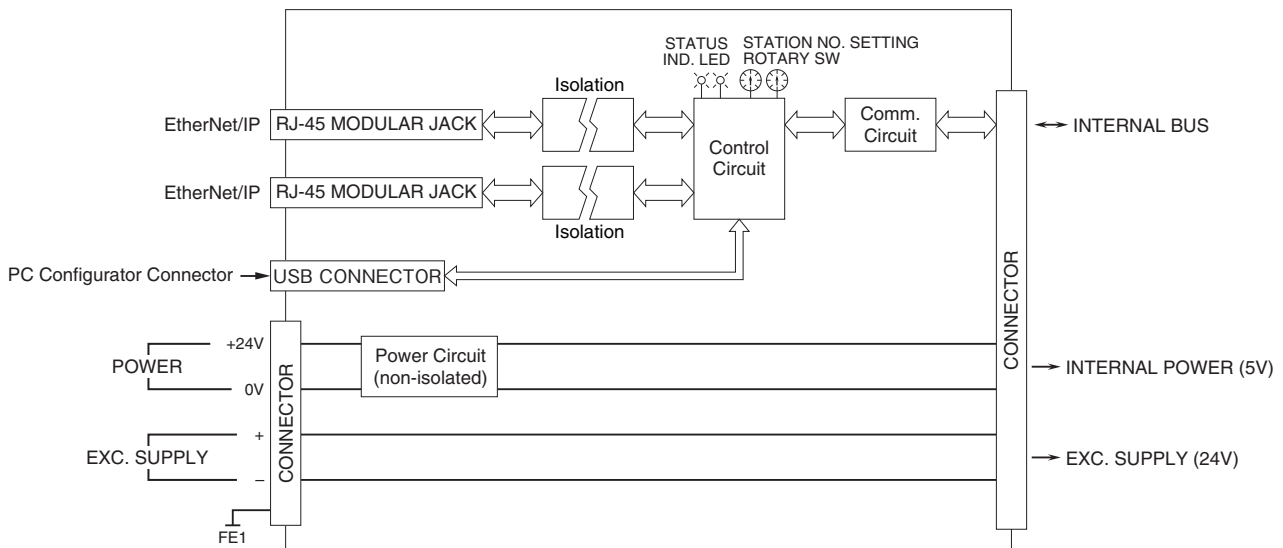
## PROTECTIVE COVER



## SCHEMATIC CIRCUITRY & CONNECTION DIAGRAM

Note: In order to improve EMC performance, bond the FE1 terminal to ground.

Caution: FE1 terminal is NOT a protective conductor terminal.



Specifications are subject to change without notice.