

ORDERING INFORMATION

MODEL : 54U

PLEASE FILL IN THIS SECTION



Model
Company
Name
P/O No.

FACTORY USE ONLY



Job No.	Approved by (Sales office)
Ser No.	Issued by (Sales office)
Sales	Approved by (Factory)
	Set by (Factory)
	Ser No.

Specify the items you want to change. Default setting will be used if not specified.

■ MODBUS SETTING *1

ITEM	AVAILABLE VALUE	DEFAULT VALUE	SET VALUE	Factory Internal check
Modbus node address	1 to 247	1		<input type="checkbox"/> Checked
Transfer rate	1200 bps 2400 bps 4800 bps 9600 bps 19200 bps 38400 bps	38400		<input type="checkbox"/> Checked
Parity bit	None Odd Even	Odd		<input type="checkbox"/> Checked
Stop bit	1 bit 2 bits	1		<input type="checkbox"/> Checked
T1.5 timer length	0 to 6.0, in 0.1 increments (Modbus protocol standard: 1.5)	1.5		<input type="checkbox"/> Checked
T3.5 timer length	0 to 6.0, in 0.1 increments (Modbus protocol standard: 3.5)	3.5		<input type="checkbox"/> Checked
Long register (32-bit words assignments)	Normal: (Lower digit word at the lower address) Swap: (Lower digit word at the higher address)	Normal		<input type="checkbox"/> Checked

*1. Setting available when Modbus is chosen for external interface code.

■ SETTING

ITEM	AVAILABLE VALUE	DEFAULT VALUE	SET VALUE	Factory Internal check	
Input setting	Wiring configuration	1P2W: Single-phase/2-wire 1P3W: Single-phase/3-wire 3P3W-B: 3-phase/3-wire, balanced load 3P3W-UB: 3-phase/3-wire, unbalanced load 3P4W-B: 3-phase/4-wire, balanced load 3P4W-UB: 3-phase/4-wire, unbalanced load (*) 3P3W-3CT: 3-phase/3-wire, unbalanced load (3CT)	(*)		<input type="checkbox"/> Checked
	CT primary rating	1 to 20 000 A	1 A or 5 A		<input type="checkbox"/> Checked
	VT primary rating	50 to 400 000 V	110 V	*4	<input type="checkbox"/> Checked
	VT secondary rating	50 to 500 V	110 V	*4	<input type="checkbox"/> Checked
	AC frequency	U1N:Voltage I1:Current	U1N		<input type="checkbox"/> Checked
	Low-end cut out, current	0.0 thr. 99.9% of the rating	1.0 %		<input type="checkbox"/> Checked
	Low-end cut out, voltage	0.0 thr. 99.9% of the rating	1.0 %		<input type="checkbox"/> Checked
Style setting	Power factor (PF1 through PF3, PF) sign	0: Standard (IEC) (Identical to the active energy) 1: Special type 1 (IEEE) (Positive in LAG, Negative in LEAD)	0		<input type="checkbox"/> Checked
	Reactive power (Q1 through Q3, Q) sign	0: Standard (IEC) (Positive from [PF = 1.0] to 180° in LAG direction; Negative for the other direction) 1: Special type 1 (Positive in LAG, Negative in LEAD)	0		<input type="checkbox"/> Checked
LCD bargraph setting	Current (I)	Maximum value:0.000 to 20 000.000 A	Input code "1" ... 1.000 A Input code "2" ... 5.000 A		<input type="checkbox"/> Checked
		Minimum value:0.000 to 20 000.000 A	0.000 A		<input type="checkbox"/> Checked
	Voltage (U)	Maximum value:0.00 to 400 000.00 V	300.00 V		<input type="checkbox"/> Checked
		Minimum value:0.00 to 400 000.00 V	0.00 V		<input type="checkbox"/> Checked
	Active power (P)	Maximum value:0 to 2 000 000 000	Input code "1" ... 300 W Input code "2" ... 1500 W		<input type="checkbox"/> Checked
		Minimum value:-2 000 000 000 to 2 000 000 000	0 W		<input type="checkbox"/> Checked
	Reactive power (Q)	Maximum value:0 to 2 000 000 000 *2	Input code "1" ... 300 var Input code "2" ... 1500 var		<input type="checkbox"/> Checked
		Minimum value:-2 000 000 000 to 2 000 000 000	0 var		<input type="checkbox"/> Checked
	Apparent Power (S)	Maximum value:0 to 2 000 000 000	Input code "1" ... 300 VA Input code "2" ... 1500 VA		<input type="checkbox"/> Checked
		Minimum value:0 to 2 000 000 000	0 VA		<input type="checkbox"/> Checked
	Power factor (PF)	Maximum value:0.0000 to 1.0000 *2	1.0000 COSφ		<input type="checkbox"/> Checked
		Minimum value:-1.0000 to 1.0000	0.0000 COSφ		<input type="checkbox"/> Checked
	Frequency (F)	Maximum value:45.00 to 65.00	65.00 Hz		<input type="checkbox"/> Checked
		Minimum value:45.00 to 65.00	45.00 Hz		<input type="checkbox"/> Checked
	Total harmonic distortion (THD)	Maximum value:0.0 to 999.9	100.0 %		<input type="checkbox"/> Checked
		Minimum value:0.0 to 999.9	0.0 %		<input type="checkbox"/> Checked
	Phase angle between voltages (PHASE DIF)	Maximum value:0 to 180	180 Deg *3		<input type="checkbox"/> Checked
		Minimum value:-180 to 180	-180 Deg *3		<input type="checkbox"/> Checked

*1. System configuration factory setting

54U-1: 3P3W-UB
54U-2: 3P4W-UB

*2. Bi-directional indication is available when the maximum value is 0. Refer to "SETTING BARGRAPH INDICATION" in "SETTING EXAMPLE" section.

*3. No unit indication on the module

*4. Leave blank, when single-phase / 3-wire, phase voltage 110 V (line to line 220 V) and VT is not used.

ITEM		AVAILABLE VALUE	DEFAULT VALUE	SET VALUE	Factory Internal check	
Energy setting	Tariff switching	Disable (*) Enable	(*)		<input type="checkbox"/> Checked	
Discrete input/output setting	Discrete output 1 (Contact output)	Function	NO FUNC:No function(*) ENERGY:Energy count pulse ALARM:Alarm output	(*)		<input type="checkbox"/> Checked
		Contact type	N-O: Normal open N-C: Normal closed	N-O		<input type="checkbox"/> Checked
	Discrete output 2 (Contact output)	Function	NO FUNC:No function(*) ENERGY:Energy count pulse ALARM:Alarm output	(*)		<input type="checkbox"/> Checked
		Contact type	N-O: Normal open N-C: Normal closed	N-O		<input type="checkbox"/> Checked
	Discrete input (Contact input)	Function	NO FUNC:No function(*) DEMAND:Update demand value RESET E:Reset energy count CLR ALARM:Reset alarm TARIFF:Switch tariff	(*)		<input type="checkbox"/> Checked
		Contact type	N-O: Normal open N-C: Normal closed	N-O		<input type="checkbox"/> Checked
Energy setting *1 (Discrete output option)	Discrete output 1	Energy count 1	See Table 1.	0		<input type="checkbox"/> Checked
		Pulse weight	0.1 to 10 000.0 kWh/kvarh/kVAh	1.0		<input type="checkbox"/> Checked
		Pulse duration	100 to 2 000 milliseconds (in 100 msec. increments)	100		<input type="checkbox"/> Checked
	Discrete output 2	Energy count 2	See Table 1.	0		<input type="checkbox"/> Checked
		Pulse weight	0.1 to 10 000.0 kWh/kvarh/kVAh	1.0		<input type="checkbox"/> Checked
		Pulse duration	100 to 2 000 milliseconds (in 100 msec. increments)	100		<input type="checkbox"/> Checked
Alarm output setting *1	Power ON delay time		0 thr. 999 seconds	0		<input type="checkbox"/> Checked
	Latching		Disable (*) Enable	(*)		<input type="checkbox"/> Checked
	Measurands	Discrete Output 1	Assigned measurand: See Table 2.	-		<input type="checkbox"/> Checked
			High setpoint: See Table 2.	0		<input type="checkbox"/> Checked
			Low setpoint: See Table 2.	0		<input type="checkbox"/> Checked
			Hysteresis: 0.0 thr. 99.9%	0.0		<input type="checkbox"/> Checked
			Alarm ON delay time: 0 thr. 999 seconds	0		<input type="checkbox"/> Checked
			Alarm output DISABLE:Disable alarm (*) DISP ONLY:Display only DOUT1:Discrete output 1 + display	(*)		<input type="checkbox"/> Checked
	Measurands	Discrete Output 2	Assigned measurand: See Table 2.	-		<input type="checkbox"/> Checked
			High setpoint: See Table 2.	0		<input type="checkbox"/> Checked
			Low setpoint: See Table 2.	0		<input type="checkbox"/> Checked
			Hysteresis: 0.0 thr. 99.9%	0.0		<input type="checkbox"/> Checked
			Alarm ON delay time: 0 thr. 999 seconds	0		<input type="checkbox"/> Checked
			Alarm output DISABLE:Disable alarm (*) DISP ONLY:Display only DOUT2:Discrete output 2 + display	(*)		<input type="checkbox"/> Checked

*1. Specify the channel which requires setting.

ITEM		AVAILABLE VALUE	DEFAULT VALUE	SET VALUE	Factory Internal check	
Analog output setting (Analog output option)	CH 1	Assigned measurand	See Table 3	-		<input type="checkbox"/> Checked
		Proportional Output	Input 0% : -15.00 to +140.00% *2	0.00		<input type="checkbox"/> Checked
			Output 0% : 1.6 to 22.4 mA (0.4 to 5.6 V)	4.0(1.0)		<input type="checkbox"/> Checked
			Input 100% : -15.00 to +140.00% *2	100.00		<input type="checkbox"/> Checked
	Output 100% : 1.6 to 22.4 mA (0.4 to 5.6 V)		20.0(5.0)		<input type="checkbox"/> Checked	
	CH 2	Assigned measurand	See Table 3.	-		<input type="checkbox"/> Checked
		Proportional Output	Input 0% : -15.00 to +140.00% *2	0.00		<input type="checkbox"/> Checked
			Output 0% : 1.6 to 22.4 mA (0.4 to 5.6 V)	4.0(1.0)		<input type="checkbox"/> Checked
			Input 100% : -15.00 to +140.00% *2	100.00		<input type="checkbox"/> Checked
	Output 100% : 1.6 to 22.4 mA (0.4 to 5.6 V)		20.0(5.0)		<input type="checkbox"/> Checked	
	CH 3	Assigned measurand	See Table 3.	-		<input type="checkbox"/> Checked
		Proportional Output	Input 0% : -15.00 to +140.00% *2	0.00		<input type="checkbox"/> Checked
			Output 0% : 1.6 to 22.4 mA (0.4 to 5.6 V)	4.0(1.0)		<input type="checkbox"/> Checked
			Input 100% : -15.00 to +140.00% *2	100.00		<input type="checkbox"/> Checked
	Output 100% : 1.6 to 22.4 mA (0.4 to 5.6 V)		20.0(5.0)		<input type="checkbox"/> Checked	
	CH 4	Assigned measurand	See Table 3.	-		<input type="checkbox"/> Checked
Proportional Output		Input 0% : -15.00 to +140.00% *2	0.00		<input type="checkbox"/> Checked	
		Output 0% : 1.6 to 22.4 mA (0.4 to 5.6 V)	4.0(1.0)		<input type="checkbox"/> Checked	
		Input 100% : -15.00 to +140.00% *2	100.00		<input type="checkbox"/> Checked	
	Output 100% : 1.6 to 22.4 mA (0.4 to 5.6 V)	20.0(5.0)		<input type="checkbox"/> Checked		

*2. Use following parameter to convert input actual value to input value [%].

For active power and reactive power

$$\text{INPUT} [\%] = \left(\frac{\text{INPUT}}{\text{ENERGY}^{(1)} \times 2} + 0.5 \right) \times 100$$

⁽¹⁾ P: Active power = VT primary rating × CT primary rating × n
Q: Reactive power = VT primary rating × CT primary rating × n

Single-phase/2-wire: n = 1, Single-phase/3-wire: n = 2, Three-phase/3-wire: n = $\frac{3}{\sqrt{3}}$, Three-phase/4-wire: n = 3

For apparent power

$$\text{INPUT} [\%] = \left(\frac{\text{INPUT}}{\text{ENERGY}^{(1)}} \right) \times 100$$

⁽¹⁾ S: Apparent power = VT primary rating × CT primary rating × n

Single-phase/2-wire: n = 1, Single-phase/3-wire: n = 2, Three-phase/3-wire: n = $\frac{3}{\sqrt{3}}$, Three-phase/4-wire: n = 3

(example)

Three-phase/3-wire VT 3300 V/110 V, CT 250 A/5 A
INPUT RANGE for -1000 to +1000 kW

$$\text{ENERGY "P"} = 3300 \times 250 \times \frac{3}{\sqrt{3}} = 1,428,941 = 1429 \text{ kW}$$

$$\text{INPUT } 0 [\%] = \left(\frac{-1000 \text{ kW}}{1429 \text{ kW} \times 2} + 0.5 \right) \times 100 = 15.01 [\%]$$

$$\text{INPUT } 100 [\%] = \left(\frac{1000 \text{ kW}}{1429 \text{ kW} \times 2} + 0.5 \right) \times 100 = 84.99 [\%]$$

ITEM		AVAILABLE VALUE	DEFAULT VALUE	SET VALUE	Factory Internal check	
Display setting	My default view	≥0: Save the view on display (See Table 4) -1: Σ view auto cyclic switching	0: Σ1		<input type="checkbox"/> Checked	
	Recover to default time	0: Disable 1 to 999: seconds	0		<input type="checkbox"/> Checked	
	Σ view customization	Σ1 View	Choose measurands to be displayed on Line 1 See Table 5.	1		<input type="checkbox"/> Checked
			Choose measurands to be displayed on Line 2 See Table 5.	3		<input type="checkbox"/> Checked
			Choose measurands to be displayed on Line 3 See Table 5.	6		<input type="checkbox"/> Checked
			Choose measurands to be displayed on Line 4 See Table 5.	100		<input type="checkbox"/> Checked
		Σ2 View	Choose measurands to be displayed on Line 1 See Table 5.	1		<input type="checkbox"/> Checked
			Choose measurands to be displayed on Line 2 See Table 5.	3		<input type="checkbox"/> Checked
			Choose measurands to be displayed on Line 3 See Table 5.	2		<input type="checkbox"/> Checked
			Choose measurands to be displayed on Line 4 See Table 5.	100		<input type="checkbox"/> Checked
		Σ3 View	Choose measurands to be displayed on Line 1 See Table 5.	1		<input type="checkbox"/> Checked
			Choose measurands to be displayed on Line 2 See Table 5.	4		<input type="checkbox"/> Checked
			Choose measurands to be displayed on Line 3 See Table 5.	2		<input type="checkbox"/> Checked
			Choose measurands to be displayed on Line 4 See Table 5.	100		<input type="checkbox"/> Checked
		Σ4 View	Choose measurands to be displayed on Line 1 See Table 5.	1		<input type="checkbox"/> Checked
			Choose measurands to be displayed on Line 2 See Table 5.	5		<input type="checkbox"/> Checked
			Choose measurands to be displayed on Line 3 See Table 5.	7		<input type="checkbox"/> Checked
			Choose measurands to be displayed on Line 4 See Table 5.	100		<input type="checkbox"/> Checked
		Σ5 View	Choose measurands to be displayed on Line 1 See Table 5.	3		<input type="checkbox"/> Checked
			Choose measurands to be displayed on Line 2 See Table 5.	8		<input type="checkbox"/> Checked
			Choose measurands to be displayed on Line 3 See Table 5.	9		<input type="checkbox"/> Checked
			Choose measurands to be displayed on Line 4 See Table 5.	10		<input type="checkbox"/> Checked
		Σ6 View	Choose measurands to be displayed on Line 1 See Table 5.	3		<input type="checkbox"/> Checked
			Choose measurands to be displayed on Line 2 See Table 5.	12		<input type="checkbox"/> Checked
			Choose measurands to be displayed on Line 3 See Table 5.	13		<input type="checkbox"/> Checked
			Choose measurands to be displayed on Line 4 See Table 5.	14		<input type="checkbox"/> Checked
	My default energy reading display view	Choose measurands to be displayed on Line 4 in 'my default view'. See Table 5	100		<input type="checkbox"/> Checked	
My default energy reading display view	0: 0.1 kWh, 0.1 kvarh, 0.1 kVA 1: 0.1 Wh, 0.1 varh, 0.1 VA	0		<input type="checkbox"/> Checked		

Table 1 ENERGY COUNT TYPE

SET VALUE	ID	PARAMETER *1
0	T-EP	Active energy, incoming (*)
1	T-EQ	Reactive energy, LAG
2	T-ES	Apparent energy
3	T-EP-	Active energy, outgoing
4	T-EQ-	Reactive energy, LEAD
5	T-EQ+LAG	Reactive energy, incoming, LAG
6	T-EQ+LEAD	Reactive energy, incoming, LEAD
7	T-EQ-LAG	Reactive energy, outgoing, LAG
8	T-EQ-LEAD	Reactive energy, outgoing, LEAD
9	----	Reserved. DO NOT USE.
10	T-EQ+P	Reactive energy, incoming
11	T-EQ-P	Reactive energy, outgoing
12	----	Reserved. DO NOT USE.
13	T-EQA	Reactive energy, (incoming + outgoing)
200	EP	Active energy, high tariff, incoming
201	EQ	Reactive energy, high tariff, LAG
202	ES	Apparent energy, high tariff
203	EP-	Active energy, high tariff, outgoing
204	EQ-	Reactive energy, high tariff, LEAD
205	EQ+LAG	Reactive energy, high tariff, incoming, LAG
206	EQ+LEAD	Reactive energy, high tariff, incoming, LEAD
207	EQ-LAG	Reactive energy, high tariff, outgoing, LAG
208	EQ-LEAD	Reactive energy, high tariff, outgoing, LEAD
209	----	Reserved. DO NOT USE.
210	EQ+P	Reactive energy, high tariff, incoming
211	EQ-P	Reactive energy, high tariff, outgoing
212	----	Reserved. DO NOT USE.
213	EQA	Reactive energy, high tariff, (incoming + outgoing)
300	L-EP	Active energy, low tariff, incoming
301	L-EQ	Reactive energy, low tariff, LAG
302	L-ES	Apparent energy, low tariff
303	L-EP-	Active energy, low tariff, outgoing
304	L-EQ-	Reactive energy, low tariff, LEAD
305	L-EQ+LAG	Reactive energy, low tariff, incoming, LAG
306	L-EQ+LEAD	Reactive energy, low tariff, incoming, LEAD
307	L-EQ-LAG	Reactive energy, low tariff, outgoing, LAG
308	L-EQ-LEAD	Reactive energy, low tariff, outgoing, LEAD
309	----	Reserved. DO NOT USE.
310	L-EQ+P	Reactive energy, low tariff, incoming
311	L-EQ-P	Reactive energy, low tariff, outgoing
312	----	Reserved. DO NOT USE.
313	L-EQA	Reactive energy low tariff, (incoming + outgoing)

*1. When choose measurand of low, "Tariff switching" of "Energy setting" to "Enable."

Table 2 ALARM OUTPUT SETTING

ID	DEFINITION	LOW SETPOINT	HIGH SETPOINT	UNIT
I1-3	Current, Line 1 thr. Line 3	0.000	20 000.000	A
IN	Neutral current 3P4W	0.000	20 000.000	A
U12-31	Delta voltage, Line 1 - 2, 2 - 3, 3 - 1	0.00	400 000.00	V
U1N-3N	Phase voltage, Phase 1 thr. Phase 3	0.00	400 000.00	V
P	Active power	-2 000 000 000	2 000 000 000	W
Q	Reactive power	-2 000 000 000	2 000 000 000	var
S	Apparent power	0	2 000 000 000	VA
PF	Power factor	-1.0000	1.0000	---
F	Frequency	45.00	65.00	Hz
I1-3 AVG	Average current, Line 1 thr. Line 3 (demand)	0.000	20 000.000	A
IN AVG	Average neutral current (demand) 3P4W	0.000	20 000.000	A
P AVG	Average active power (demand)	-2 000 000 000	2 000 000 000	W
Q AVG	Average reactive power (demand)	-2 000 000 000	2 000 000 000	var
S AVG	Average apparent power (demand)	0	2 000 000 000	VA
THD1-3	THD, Current, Line 1 thr. Line 3	0.0	999.9	%
THDIN	THD, Neutral current 3P4W	0.0	999.9	%
THDU12-31	THD, Delta voltage, Line 1 - 2, 2 - 3, 3 - 1	0.0	999.9	%
THDU1N-3N	THD, Phase voltage, Phase 1 thr. Phase 3	0.0	999.9	%
UT12-31	Phase angle between voltages, Phase 1 - 2, 2 - 3, 3 - 1	-180	180	°

3P4W : 3-phase / 4-wire system option

Table 3 PARAMETERS TO BE ASSIGNED TO ANALOG OUTPUTS

SYMBOL	DEFINITION
CT1	CT primary rating
VT1	VT primary rating
1P2W	Single-phase/2-wire
1P3W	Single-phase/3-wire
3P3W-B	3-phase/3-wire balanced
3P3W-UB	3-phase/3-wire unbalanced
3P4W-B	3-phase/4-wire balanced
3P4W-UB	3-phase/4-wire unbalanced
P	CT1 × VT1 × n n=1P2W: 1, 1P3W: 2, 3P3W: $\sqrt{3}$, 3P4W: 3

ID	DEFINITION	RANGE (0 to 100%)	1P2W	1P3W	3P3W-B	3P3W-UB (2CT)	3P3W-UB (3CT)	3P4W-B	3P4W-UB
NULL	Not assigned		✓	✓	✓	✓	✓	✓	✓
I	Current	0 to CT1	✓	✓	✓	✓	✓	✓	✓
U	Voltage	0 to VT1	✓	✓	✓	✓	✓	✓	✓
P	Active power	±P	✓	✓	✓	✓	✓	✓	✓
Q	Reactive power	±P	✓	✓	✓	✓	✓	✓	✓
S	Apparent power	0 to P	✓	✓	✓	✓	✓	✓	✓
PF	Power factor	-1.0000 to +1.0000	✓	✓	✓	✓	✓	✓	✓
F	Frequency	45.00 to 65.00	✓	✓	✓	✓	✓	✓	✓
I1	Current, Line 1	0 to CT1	✓	✓	✓	✓	✓	✓	✓
I2	Current, Line 2	0 to CT1			*	*	✓	*	✓
I3	Current, Line 3	0 to CT1		✓	*	✓	✓	*	✓
IN	Neutral current	0 to CT1 3P4W		✓					✓
U12	Delta voltage, Line 1 – 2	0 to VT1			✓	✓	✓	✓	✓
U23	Delta voltage, Line 2 – 3	0 to VT1			✓	✓	✓	✓	✓
U31	Delta voltage, Line 3 – 1	0 to VT1		✓	✓	✓	✓	✓	✓
U1N	Phase voltage, Phase 1	0 to VT1	✓	✓				✓	✓
U2N	Phase voltage, Phase 2	0 to VT1						*	✓
U3N	Phase voltage, Phase 3	0 to VT1		✓				*	✓
P1	Active power, Phase 1	±(VT1 × CT1)	✓	✓				✓	✓
P2	Active power, Phase 2	±(VT1 × CT1)						*	✓
P3	Active power, Phase 3	±(VT1 × CT1)		✓				*	✓
Q1	Reactive power, Phase 1	±(VT1 × CT 1)	✓	✓				✓	✓
Q2	Reactive power, Phase 2	±(VT1 × CT)						*	✓
Q3	Reactive power, Phase 3	±(VT × CT)		✓				*	✓
S1	Apparent power, Phase 1	0 to (VT1 × CT1)	✓	✓				✓	✓
S2	Apparent power, Phase 2	0 to (VT1 × CT1)						*	✓
S3	Apparent power, Phase 3	0 to (VT1 × CT1)		✓				*	✓
PF1	Power factor, Phase 1	-1.0000 to +1.0000	✓	✓				✓	✓
PF2	Power factor, Phase 2	-1.0000 to +1.0000						*	✓
PF3	Power factor, Phase 3	-1.0000 to +1.0000		✓				*	✓
THDI1	THD, Current, Line 1	0.0 to 100.0	✓	✓	✓	✓	✓	✓	✓
THDI2	THD, Current, Line 2	0.0 to 100.0					✓		✓
THDI3	THD, Current, Line 3	0.0 to 100.0		✓		✓	✓		✓
THDIN	THD, Neutral current	0.0 to 100.0 3P4W		✓					✓
THDU12	THD, Delta voltage, Line 1 – 2	0.0 to 100.0			✓	✓	✓	✓	✓
THDU23	THD, Delta voltage, Line 2 – 3	0.0 to 100.0			✓	✓	✓	✓	✓
THDU31	THD, Delta voltage, Line 3 – 1	0.0 to 100.0		✓	✓	✓	✓	✓	✓
THDU1N	THD, Phase voltage, Phase 1	0.0 to 100.0	✓	✓				✓	✓
THDU2N	THD, Phase voltage, Phase 2	0.0 to 100.0						✓	✓
THDU3N	THD, Phase voltage, Phase 3	0.0 to 100.0		✓				✓	✓

ID	DEFINITION	RANGE (0 to 100%)	1P2W	1P3W	3P3W-B	3P3W-UB (2CT)	3P3W-UB (3CT)	3P4W-B	3P4W-UB
T-Q	Reactive power for bidirectional current		✓	✓	✓	✓	✓	✓	✓
T-PF	Power factor for bidirectional current		✓	✓	✓	✓	✓	✓	✓

✓: Measurable

*: Measured values calculated from the other inputs are calculated.

Table 4 MY DEFAULT VIEW

SETVALUE	ID	LINE1	LINE2	LINE3
0	Σ1	See 'Σ view customization.'		
16	Σ2			
32	Σ3			
48	Σ4			
64	Σ5			
80	Σ6			
256	I	Line 1 Current	Line 2 Current	Line 3 Current
272	I	---	Neutral current	---
288	U	1-2 Delta voltage	2-3 Delta voltage	3-1 Delta voltage
304	U	1-N Phase voltage	2-N Phase voltage	3-N Phase voltage
320	U	1-2 Phase angle	2-3 Phase angle	3-1 Phase angle
512	P	Phase 1 Active power	Phase 2 Active power	Phase 3 Active power
528	Q	Phase 1 Reactive power	Phase 2 Reactive power	Phase 3 Reactive power
544	S	Phase 1 Apparent power	Phase 2 Apparent power	Phase 3 Apparent power
768	PF	Phase 1 Power factor	Phase 2 Power factor	Phase 3 Power factor
784	THDI	Line 1 Current THD	Line 2 Current THD	Line 3 Current THD
800	THDI	---	Neutral current THD	---
816	THDU	1-2 Delta voltage THD	2-3 Delta voltage THD	3-1 Delta voltage THD
832	THDU	1-N Phase voltage THD	2-N Phase voltage THD	3-N Phase voltage THD

Table 5 Σ VIEW MEASURANDS

Σ view PRMTR	BASIC PARAMETER	EXTENSION								
		MAX	MIN	AVE	AVE HIST1	AVE HIST2	AVE HIST3	AVE HIST4	MAX AVE	MAX AVE (out)
0	Not assigned									
1	Current	X	X	X	X	X	X	X	X	
2	Voltage	X	X	X						
3	Active power	X	X	X	X	X	X	X	X	X
4	Reactive power	X	X	X	X	X	X	X	X	X
5	Apparent power	X	X	X	X	X	X	X	X	
6	Power factor	X	X							
7	Frequency	X	X							
8	Current, Line 1	X	X	X	X	X	X	X	X	
9	Current, Line 2	X	X	X	X	X	X	X	X	
10	Current, Line 3	X	X	X	X	X	X	X	X	
11	Neutral current 3P4W	X	X	X	X	X	X	X	X	
12	Delta voltage, 1 - 2	X	X							
13	Delta voltage, 2 - 3	X	X							
14	Delta voltage, 3 - 1	X	X							
15	Phase voltage, Phase 1	X	X							
16	Phase voltage, Phase 2	X	X							
17	Phase voltage, Phase 3	X	X							
18	Active power, Phase 1	X	X							
19	Active power, Phase 2	X	X							
20	Active power, Phase 3	X	X							
21	Reactive power, Phase 1	X	X							
22	Reactive power, Phase 2	X	X							
23	Reactive power, Phase 3	X	X							
24	Apparent power, Phase 1	X	X							
25	Apparent power, Phase 2	X	X							
26	Apparent power, Phase 3	X	X							
27	Power factor, Phase 1	X	X							
28	Power factor, Phase 2	X	X							
29	Power factor, Phase 3	X	X							
30	THD, Current, Line 1	X								
31	THD, Current, Line 2	X								
32	THD, Current, Line 3	X								
33	THD, Neutral current 3P4W	X								
34	THD, Delta voltage, 1 - 2	X								
35	THD, Delta voltage, 2 - 3	X								
36	THD, Delta voltage, 3 - 1	X								

Σ view PRMTR	BASIC PARAMETER	EXTENSION								
		MAX	MIN	AVE	AVE HIST1	AVE HIST2	AVE HIST3	AVE HIST4	MAX AVE	MAX AVE (out)
37	THD, Phase voltage, Phase 1	X								
38	THD, Phase voltage, Phase 2	X								
39	THD, Phase voltage, Phase 3	X								
40	Phase angle between phase voltages, 1 - 2									
41	Phase angle between phase voltages, 2 - 3									
42	Phase angle between phase voltages, 3 - 1									
100	Active energy, high tariff, incoming									
101	Reactive energy, high tariff, LAG									
102	Apparent energy, high tariff									
103	Active energy, high tariff, outgoing									
104	Reactive energy, high tariff, LEAD									
105	Reactive energy, high tariff, incoming/LAG									
106	Reactive energy, high tariff, incoming/LEAD									
107	Reactive energy, high tariff, outgoing/LAG									
108	Reactive energy, high tariff, outgoing/LEAD									
109	Energy count time, high tariff									
110	Active energy, low tariff, incoming									
111	Reactive energy, low tariff, LAG									
112	Apparent energy, low tariff									
113	Active energy, low tariff, outgoing									
114	Reactive energy, low tariff, LEAD									
115	Reactive energy, low tariff, incoming/LAG									
116	Reactive energy, low tariff, incoming/LEAD									
117	Reactive energy, low tariff, outgoing/LAG									
118	Reactive energy, low tariff, outgoing/LEAD									
119	Energy count time, low tariff									
210	Reactive energy, high tariff, incoming									
211	Reactive energy, high tariff, outgoing									
212	Active energy, high tariff, incoming - outgoing									
213	Reactive energy, high tariff, incoming + outgoing									
310	Reactive energy, low tariff, incoming									
311	Reactive energy, low tariff, outgoing									
312	Active energy, low tariff, incoming - outgoing									
313	Reactive energy, low tariff, incoming + outgoing									

Note1. The parameters 100 through 313 are available only on the line 4. These parameters have no extension.

Note2. When choose measurand of low, "Tariff switching" of "Energy setting" to "Enable."

3P4W:3-phase/4-wire system option

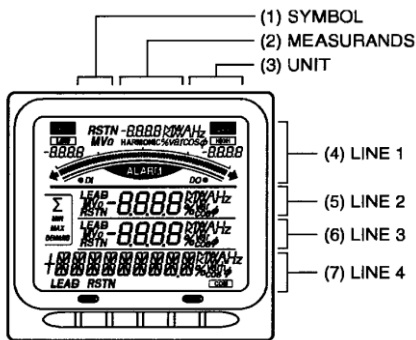


Fig.1 Σ View